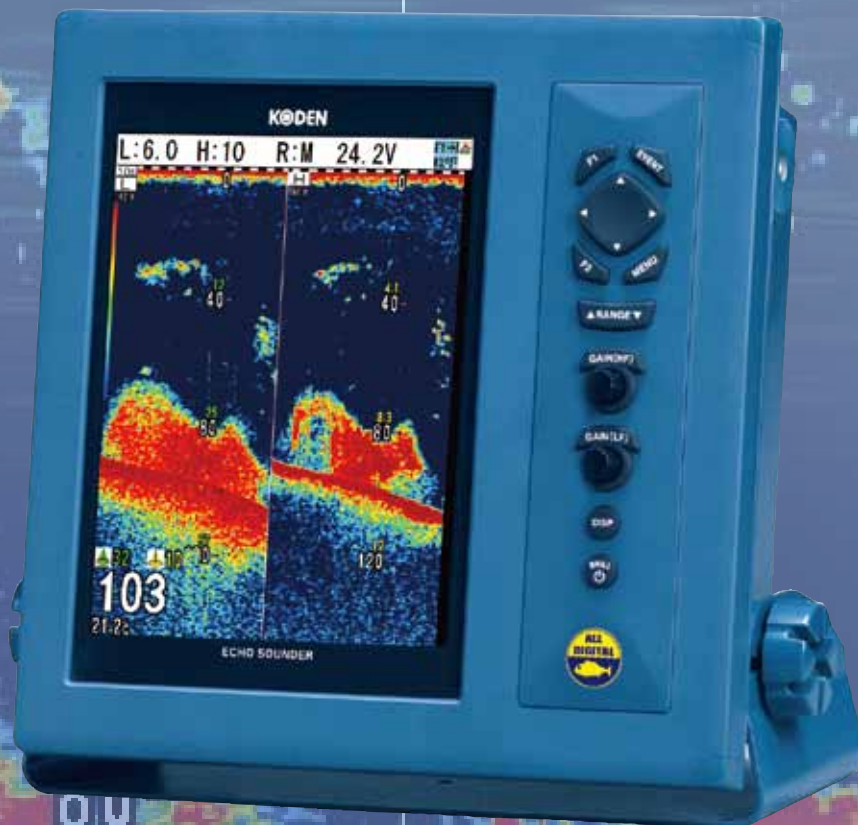




10.4-inch Color LCD
Echo Sounder / Broadband

KODEN CVS-1410B

Find your best setting for your fishing



Features

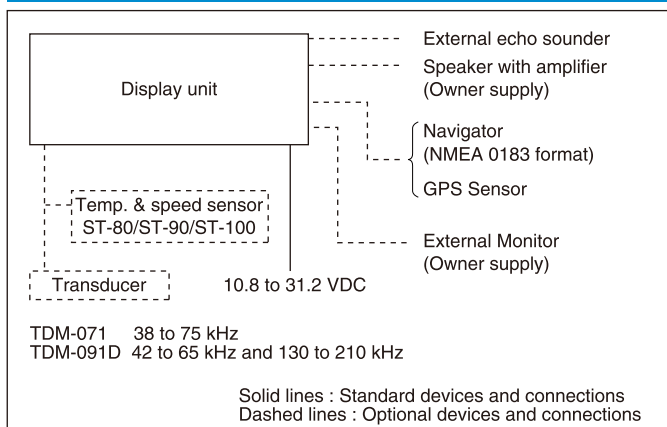
- ▶ Two types of the broadband transducer are available for your choice. Two selectable frequencies can be set and changed during use within the ranges below. This gives you an extraordinary maneuverability.
TDM-071: 38 to 75 kHz
TDM-091D: 42 to 65 kHz, 130 to 210 kHz
- ▶ Interference with other echo sounders can be avoided by adjusting frequencies to use.
- ▶ The Koden Digital Filtering (KDF™) technology has enabled low noise, high resolution and outstanding distance of detection.

SPECIFICATIONS

Model	CVS-1410B
Output power (RMS)	2 kW
Transducer (Output frequency)	TDM-071 (38 to 75 kHz) TDM-091D (42 to 65 kHz and 130 to 210 kHz)
Selectable frequency range	24 to 210 kHz 0.1 kHz step
Output method	Single or Alternate
Display size and type	10.4 inch color TFT LCD
Display resolution	640 x 480 pixels (VGA)
Basic ranges	2.5 to 2000 (m), 10 to 6000 (ft), 2.5 to 1100 (fm / l. fm) (8 ranges can be set to users choice)
Zoom ranges	2.5 to 200 (m), 10 to 650 (ft), 2.5 to 150 (fm / l. fm)
Range units	m, ft, fm, l.fm
Shift step	1m, 10m, 1/8, 1/4
Presentation modes	High frequency, Low frequency, Dual frequency, Zoom image (Bottom lock, Bottom discrimination, Bottom zoom, Zoom, Bottom follow zoom), Nav mode, Vertical split, Horizontal split A-scope can be displayed at all above modes
Presentation colors	64 colors, 16 colors, 8 colors, Monochrome
Back ground colors	Marine blue, Blue, Black, White, Nighttime color, Other 5 colors
Alarms	Bottom, Fish, Temperature*, Speed**, Arrival***, XTE***
Image speed	9 steps & stop
Functions	Interference rejection, Color rejection, VRM, Noise rejection, White line, Draft correct, Water temperature correct, Boat speed correct, Store image (10 images), Sona-Tone™, Fishing Hot Spot, Event memory, Simple plotter, Panel illumination, Power reduction, External trigger, Fish information, Detection area display
Auto functions	Range, Shift, TVG
Languages	Chinese, English, French, Greek, Italian, Japanese, Korean, Spanish, Thai
Input data formats and sentences	NMEA0183 Ver.1.5 / 2.0 / 3.0 GGA, GLL, HDT, MTW, MWV, RMC, VHW, VTG, ZDA
Output data formats and sentences	NMEA0183 Ver.2.0 (DBT : Ver.1.5) DBT, DPT, GGA, GLL, HDT, MTW, MWV, RMC, TLL, VHW, VTG, ZDA
NMEA input / output port	1 (input / output 1)
Power supply	10.8 to 31.2 VDC
Power consumption	30 W or less (24 VDC)
Environmental	
Operating temperature	-15°C to +55°C
Water protection	IPX5

- * Requires data from Temp sensor
 ** Requires speed data from Speed sensor or GPS sensor
 *** Requires data from GPS sensor

CONNECTIONS



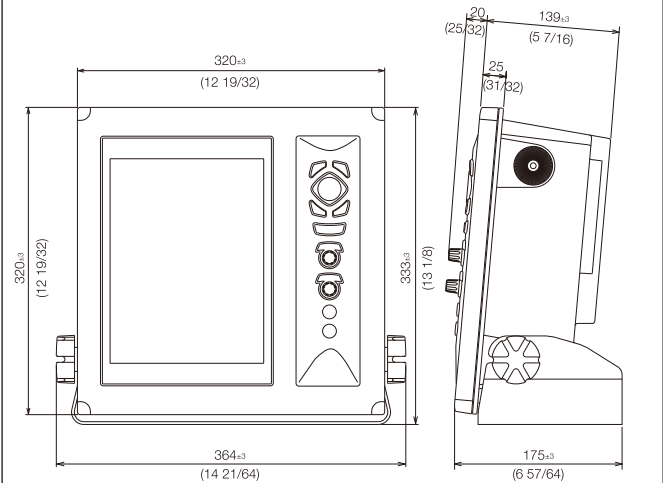
EQUIPMENT LIST

Standard equipment	Display unit with hard cover, Mounting bracket	1 set
	DC power cable, Spare parts Operation manual, Quick reference	1 set
Essential option	Transducer	1 set
Options	Temp. & speed sensor, Connection cables for external devices	

DIMENSIONS AND WEIGHT

Unit: mm (inch)

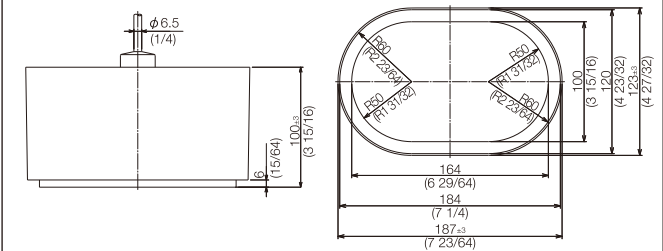
Display Unit CVS-1410B



Weight : 7.5kg (16.6lb)

Transducer

TDM-071
TDM-091D



Weight TDM-071: 4.4kg (9.7lb)
TDM-091D: 4.3kg (9.5lb)

• Design and specifications are subject to change without notice.

KODEN Kodon Electronics Co., Ltd.

Tamagawa Office:
2-13-24 Tamagawa, Ota-ku, Tokyo, 146-0095 Japan
Tel: +81-3-3756-6501 Fax: +81-3-3756-6509
Uenohara Office:
5278 Uenohara, Uenohara-shi, Yamanashi, 409-0112 Japan
Tel: +81-554-20-5860 Fax: +81-554-20-5875

overseas@koden-electronics.co.jp

www.koden-electronics.co.jp



Safety precaution

To ensure proper and safe use of the equipment, please carefully read and follow the instructions in the Operation Manual.

For details, please contact: