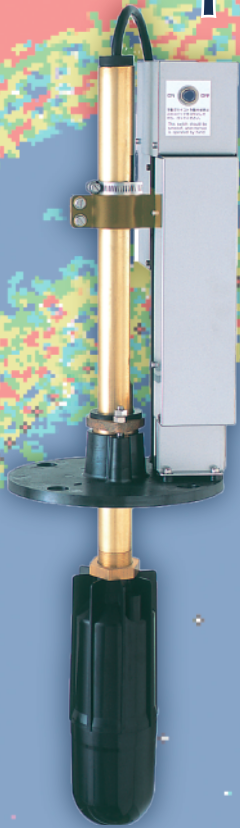


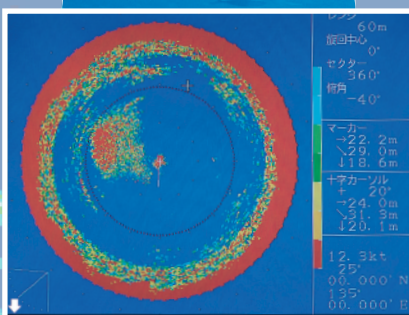
10.4 inch Searchlight Sonar

ESR-145

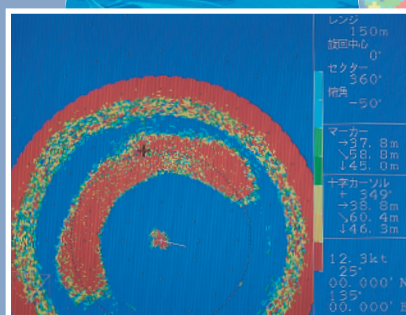
Affordable professional sonar
Compact design for easy installation



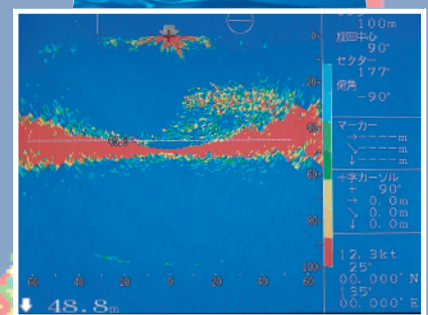
Sonar mode



Off-center mode



Bottom scan mode



- ▶ Newly designed to fit small fishing boats
- ▶ Compact Hull unit for space saving installation
- ▶ Audio kit is available
- ▶ Remote controller and speaker are available as option

SPECIFICATION

DISPLAY UNIT

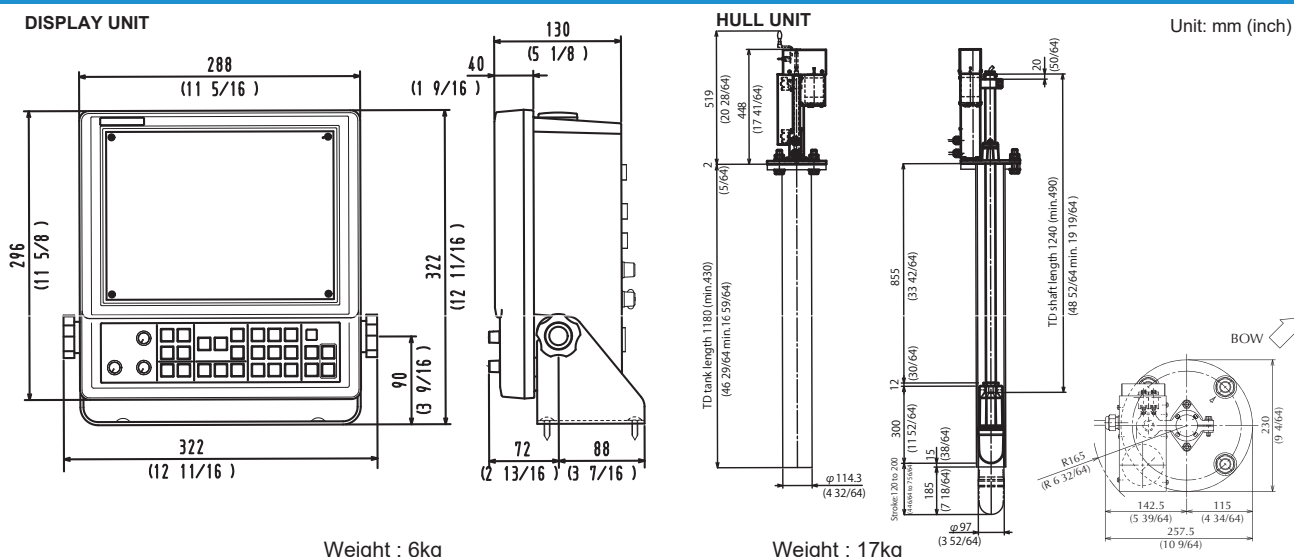
Model	ESR-145							
Output power (RMS)	800 W							
Output frequency	220 kHz							
Tilt angle	5° to -90° (1°step)							
Display size and type	10.4 inch color TFT LCD							
Basic ranges	0 to 10 to 300 (m), 0 to 10 to 200 (l.fm) (selectable from 20 types)							
Range units	m, ft, fm, l.fm							
Scanning sector angles	Sonar mode	5°step: 5°, 25°, 45°, 85°, 125°, 165°, 205°, 360° 10°step: 10°, 30°, 50°, 90°, 130°, 170°, 210°, 360°						
	Bottom scan mode	3°step: 3°, 27°, 45°, 63°, 93°, 117°, 147°, 177° 5°step: 5°, 25°, 45°, 65°, 95°, 115°, 145°, 175°						
360° Scanning time (extracts)	Scanning range (m)	10	40	80	100	160	200	300
	Scanning time (sec.) 5° step	4.2	7.1	10.9	12.8	18.6	22.4	32.0
	Scanning time (sec.) 10° step	3.7	5.1	7.0	7.0	10.9	12.8	17.6
Bearing center	5°step							
Presentation mode	Sonar mode + Data display, Off-center mode + Data display, Bottom scan mode + Data display, Echo sounder mode + Data display							
Off-Center	Fore, Back, Left, Right							
Target lock	Reverse, Horizontal, Horizontal + Vertical							
Presentation colors	8 colors							
Data Display	Range, Range Scale, Tilt Angle, Tilt Angle Diagram, Sector Angle Display, Bearing Angle, Ring Marker(Historical Distance, Slant Distance, Depth), Gain Up, TVG Graph, Cross Cursor (Bearing, Historical Distance, Slant Distance, Depth), Interference Reduction, Color Scale, Compass Display*, Ship Speed*, LAT/LON*, Temperature*, Scan Display (2 types), Own Ship Position, VRM, Depth (on detecting just below the ship)							
Functions	Operation mode (2 x 2 types), Off-center (4 types), Train correct, Power reduction, Pulse width, TVG, Target lock, Color select (4 types + 4 types of color palette settings), Dynamic range, Interference rejection, Gain control, Threshold control, Far gain control, TD auto up, Noise reduction, Brightness control, Sensor lamp							
Input data	NMEA0183 (Lat/Lon, Ship speed, Compass display, Temperature), Remote controller**							
Output data	Trigger signal, VGA**, Audio							
NMEA ports	Total 1 : input							
Power supply	21.6 to 31.2 VDC							
Power consumption (24 VDC)	70 W or less							

*Optional interface required **Option

HULL UNIT

Sonar Type	Searchlight Sonar
TD Stroke	120 to 200mm
Hoist Time	Approx.7 seconds (200mm stroke, 24V supply)
Raising/Lowering the Transducer unit	Automatically Transducer unit raised and lowered with the power ON/OFF linked
Weight	17kg (without TD tank)

DIMENSIONS AND WEIGHT



KODEN Koden Electronics Co., Ltd.

Tamagawa Office:
2-13-24 Tamagawa, Ota-ku, Tokyo, 146-0095 Japan
Tel: +81-3-3756-6501 Fax: +81-3-3756-6509
Uenohara Office:
5278 Uenohara, Uenohara-shi, Yamanashi, 409-0112 Japan
Tel: +81-554-20-5860 Fax: +81-554-20-5875

overseas@koden-electronics.co.jp

www.koden-electronics.co.jp



Safety precaution

To ensure proper and safe use of the equipment, please carefully read and follow the instructions in the Operation Manual.

For details, please contact: