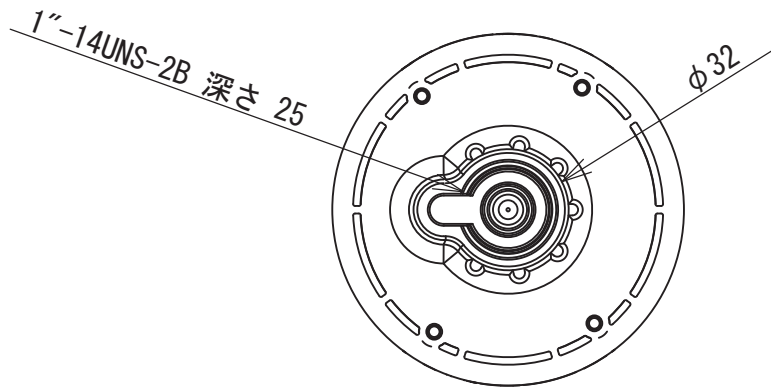
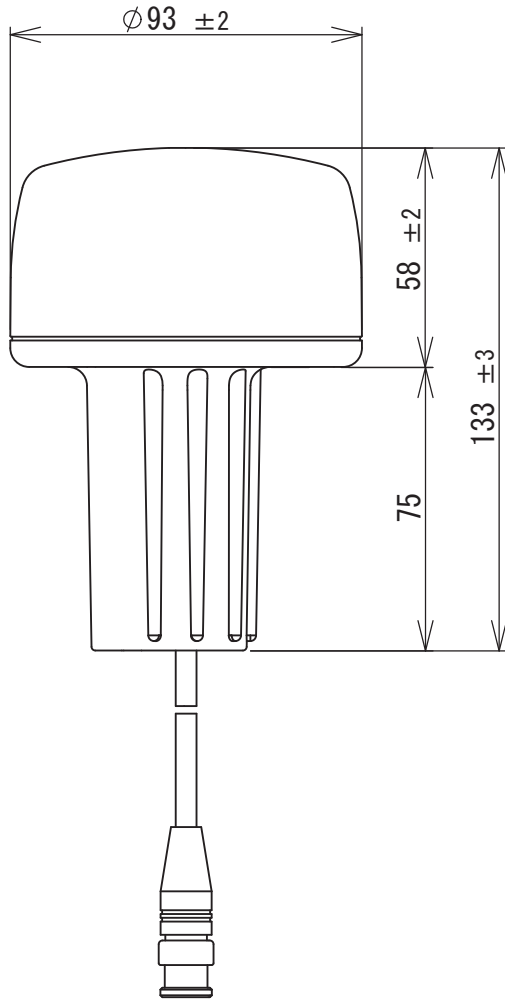


Weight: 0.74kg (1.71lb) [inclusive base]  
重量

|                                               |                                              |                                         |                        |                                                           |
|-----------------------------------------------|----------------------------------------------|-----------------------------------------|------------------------|-----------------------------------------------------------|
| APPROVED<br>Jun.19.2015<br><i>J. Hiramoto</i> | CHECKED<br>Jun.18.2015<br><i>sc. Saitama</i> | DRAWN<br>Jun.18.2015<br><i>M. Ozaki</i> | TYPE<br><b>KGP-915</b> | TITLE<br>Outline & dimensions of display unit             |
| UNIT mm / inch                                |                                              |                                         |                        | DWG.No.                                                   |
| SCALE 1:2                                     |                                              |                                         |                        | <b>KODEN</b> Kodon Electronics Co.,Ltd. <b>D88BG11000</b> |
| SYM.                                          | DESCRIPTION OF REVISIONS                     | DATE                                    | DRAWN                  | CHD.                                                      |
|                                               |                                              |                                         |                        |                                                           |



重量 : 0.23kg (ケーブル含まず)  
 Weight : 0.68kg (長さ10mケーブル含む)  
 Weight : 0.89kg (長さ15mケーブル含む)

| SYM.                                            | DESCRIPTION OF REVISIONS                      |                                          |                      | DATE                          | DRAWN | CHD. | APPD. |
|-------------------------------------------------|-----------------------------------------------|------------------------------------------|----------------------|-------------------------------|-------|------|-------|
| APPROVED<br>Oct. 26. 2015<br><i>J. Hiramoto</i> | CHECKED<br>Oct. 26. 2015<br><i>gc. Kozume</i> | DRAWN<br>Oct. 1. 2015<br><i>M. Ozaki</i> | TYPE<br><b>GA-09</b> | TITLE<br><b>GPS アンテナ外観寸法図</b> |       |      |       |
| UNIT mm / inch                                  | <b>KODEN</b> Kodon Electronics Co.,Ltd.       |                                          |                      | DWG.No.<br><b>D88BG31000</b>  |       |      |       |
| SCALE 1 : 2                                     |                                               |                                          |                      |                               |       |      |       |