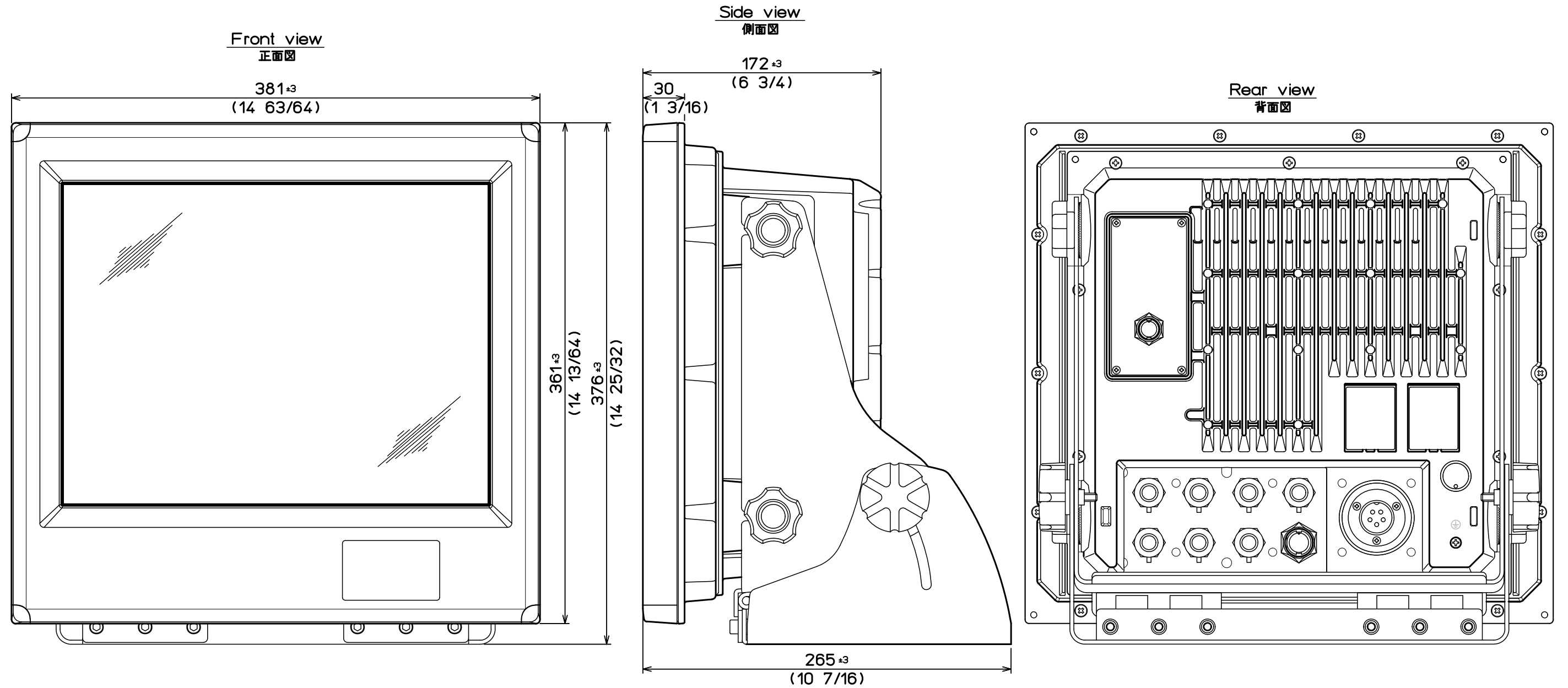


Weight : 13kg(29lb) [inclusive base/架台含む]
重量



△	ESD-200(CVS-FX2) → ESD-200(CVS-FX2) /ESD-210(CVS-702D),etc.	Jun. 5'15	J. Hiramoto	J. Shimizu	M. Ogaki	APPROVED May. 16'11 M. Ogaki	CHECKED May. 16'11 J. Shimizu	DRAWN May. 16'11 J. Hiramoto	TYPE ESD-200 (CVS-FX2) / ESD-210 (CVS-705D)	TITLE Outline & dimensions of display unit 表示機外観寸法図
	△	380.7(14 63/64) → 381±3(14 63/64). etc.	Mar. 29'12	J. Hiramoto	J. Shimizu	M. Ogaki	UNIT mm / inch	SCALE —		DWG.No. C44BG13012
SYM.	DESCRIPTION OF REVISIONS					KODEN Kodan Electronics Co.,Ltd.				