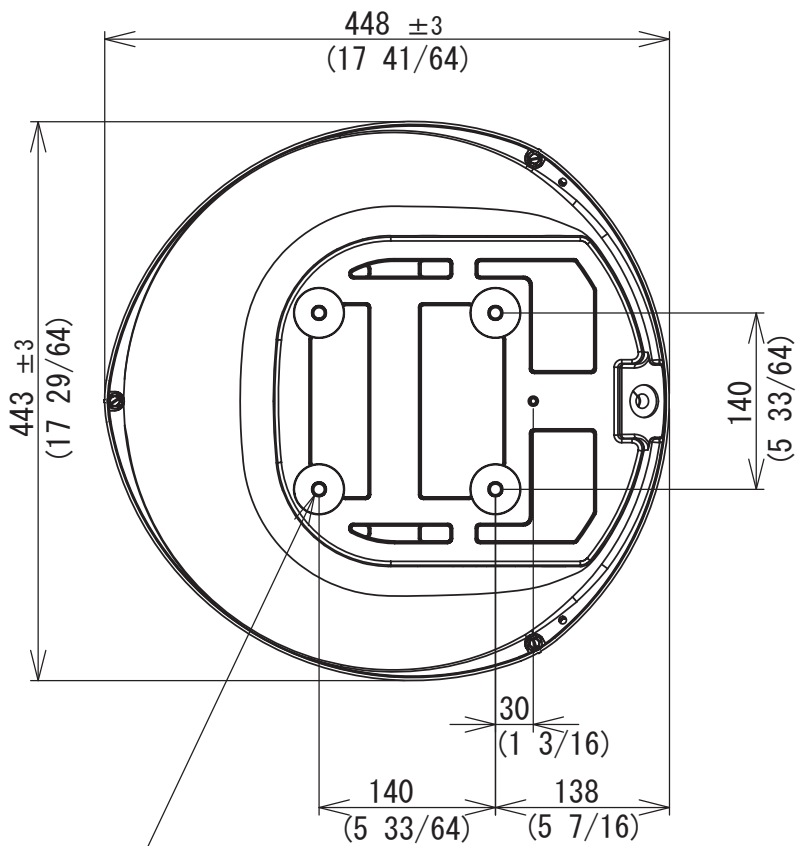


BOW
←



4-M10 Effective depth is 36mm from 17mm
(1 27/64 from 43/64)

Weight: 8.3kg (18.3lb)

SYM.	DESCRIPTION OF REVISIONS			DATE	DRAWN	CHD.	APPD.
APPROVED Sep. 26. 2018 <i>H. Maeda</i>	CHECKED Sep. 26. 2018 <i>J. Hiramoto</i>	DRAWN Sep. 21. 2018 <i>M. Ozaki</i>	TYPE RB804	TITLE Outline & dimensions of antenna-scanner unit			
UNIT mm / (inch)	KODEN Kodon Electronics Co.,Ltd.			DWG.No. E76BG10010			
SCALE : — : —							