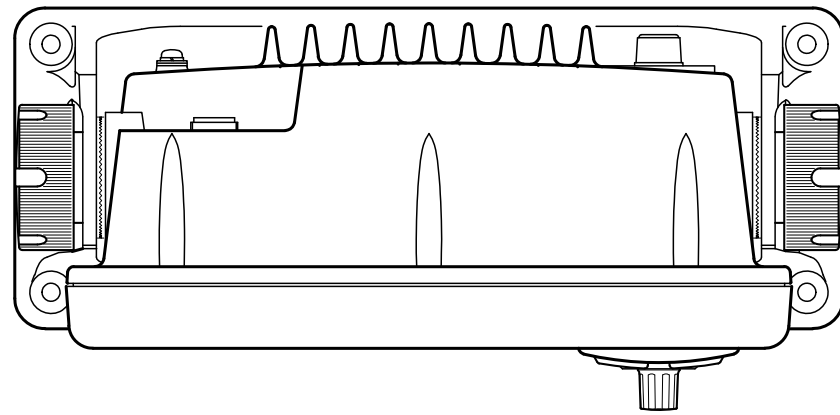
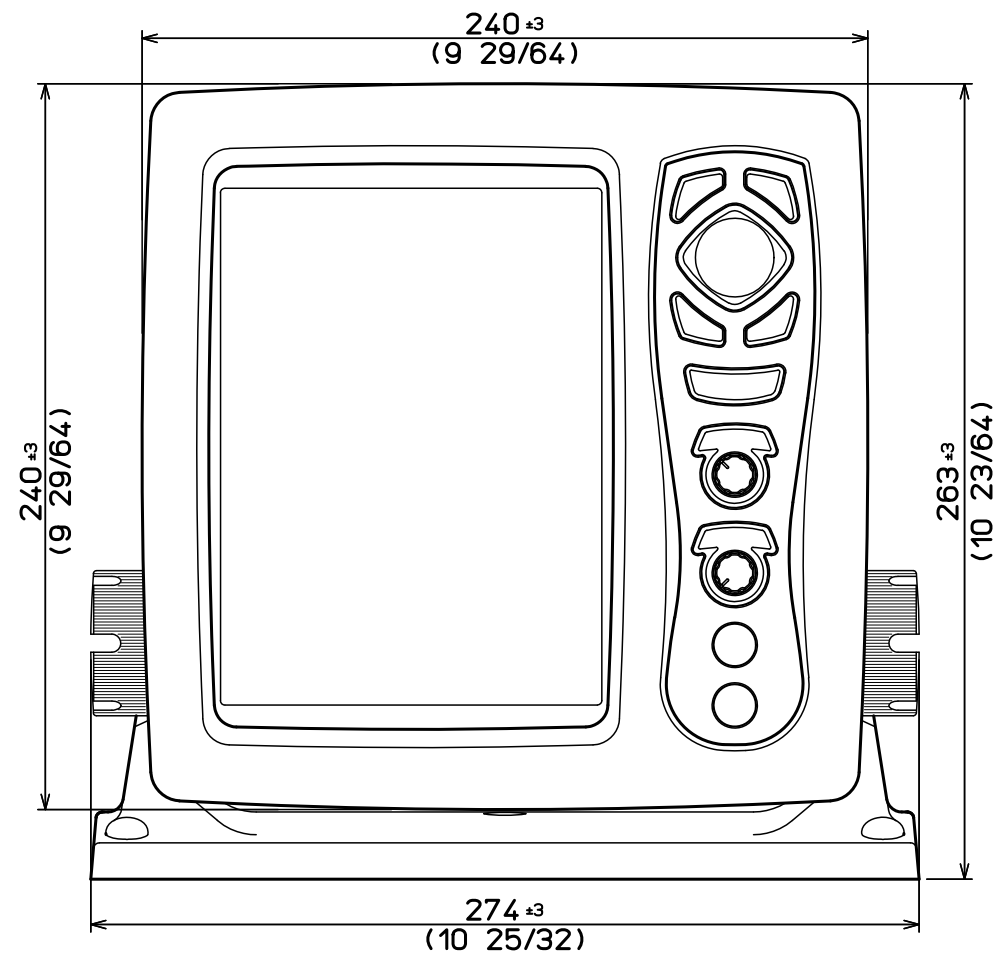


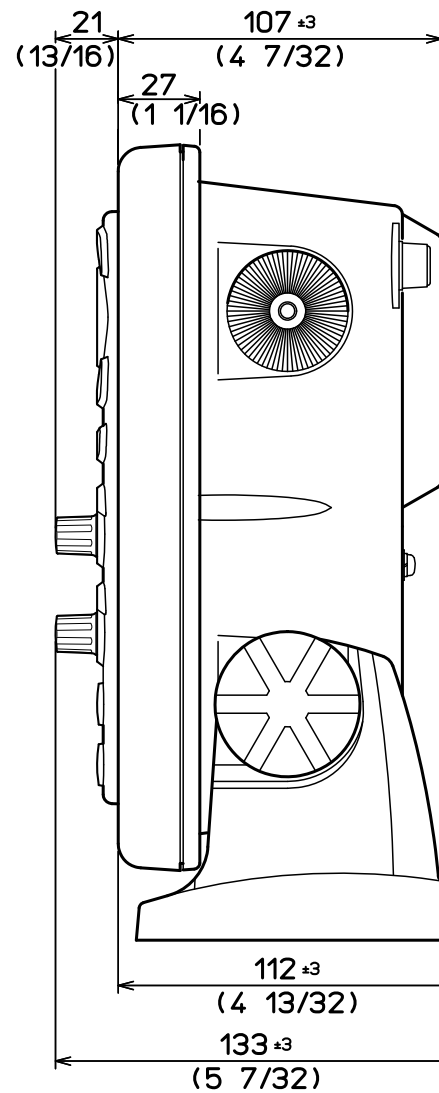
Plan view
平面図



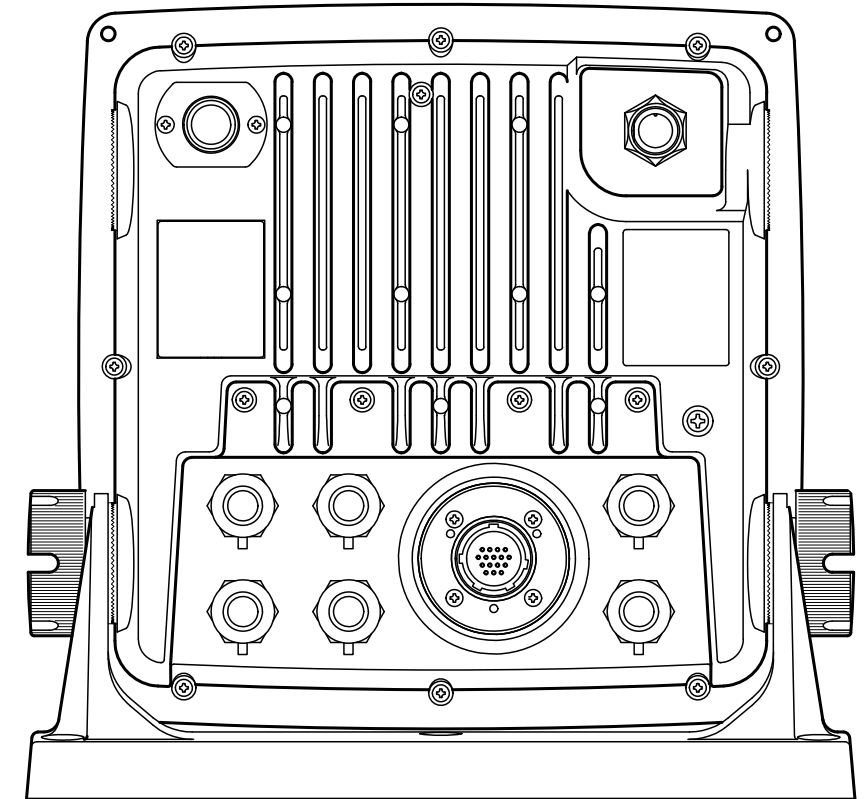
Front view
正面図



Side view
側面図



Rear view
背面図



Weight
重量 : 3.4kg(7.5lb) [inclusive base / 架台含む]

△	Add MRD-103A.	Feb. 16' 15	J. Hiramoto	Y. Shimizu	M. Ozaki	APPROVED	CHECKED	DRAWN	TYPE	TITLE
△	3.7kg(8.2lb)[inclusive base hard cover] → 3.4kg(7.5lb)[inclusive base]. etc.	May. 14' 15	J. Hiramoto	Y. Shimizu	M. Ozaki	Exp. 19' 08	Exp. 12' 08	Jun. 23' 08	MRD-103 /MRD-103A	Outline & dimensions of display unit 指示機外観寸法図
△	240(9 29/64) → 240±3(9 29/64). etc.	Apr. 9' 12	J. Hiramoto	Y. Shimizu	M. Ozaki	UNIT	mm / inch			DWG.No.
SYM.	DESCRIPTION OF REVISIONS	DATE	DRAWN	CHD.	APPD.	SCALE		KODEN Kodon Electronics Co.,Ltd.		E57BG10003