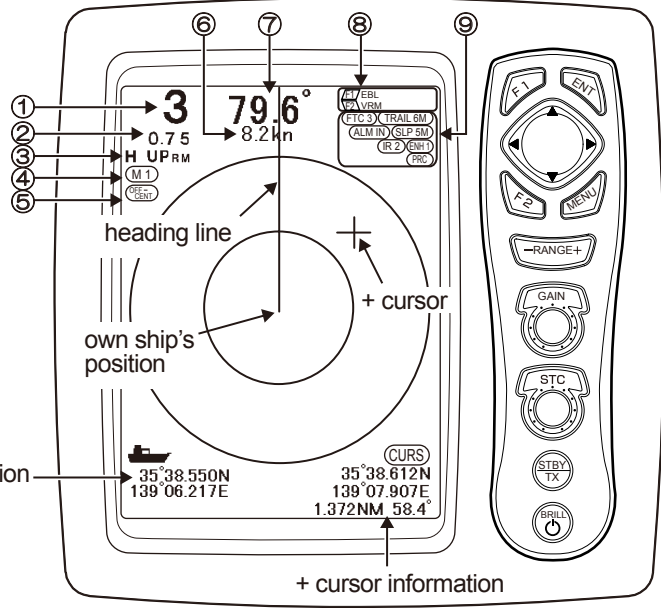


- ① Range
  - ② Range Rings Interval
  - ③ Mode  
H UP: Head Up  
N UP: North Up  
C UP: Course Up  
WPT UP: WPT Up  
RM: Relative Motion  
TM: True Motion
  - ④ Pulse  
Short Long  
SP < M1 < M2 < L1 < L2
  - ⑤ Off Center State
  - ⑥ SPD
  - ⑦ Heading
  - ⑧ State of [F1]/[F2] key assignment
  - ⑨ Display Setting Information
    - (FTC 3) FTC set value
    - (TRAIL 6M) Trail Time
    - (ALM IN) Alarm Mode
    - (SLP 5M) Sleep Setting
    - (IR 2) Interference Rejection Setting
    - (ENH 1) Enhance Setting
    - (PRC) PROCESS: OFF/ON
- When set to OFF, the data is not displayed.



### Execute the preset function. ([F1] / [F2] keys)



The operation differs depending on the preset function.  
Operate while referring to the operation guide on the display.

Press

### Functions which can be preset to [F1] / [F2] keys

[FTC], [Mode], [Display Select], [Off Center], [Enhance], [Trail Time], [EBL], [VRM], [Color], [PI (Parallel Cursor)], [Alarm Mode], [ACQ], [Delete], [POB], [Target], [Other Ship], [Pulse], [Process]

By keep pressing the [F1] / [F2] key, a function assigned to each key can be selected.

### Change the range. ([- RANGE +] key)

Press [+] → The observation range is widened.  
(The image shrinks.)  
Press [-] → The observation range is narrowed.  
(The image expands.)

### Adjust the STC. ([STC] knob)



When rotating clockwise the [STC] knob, the effect of suppressing the reflection from sea surface becomes stronger.  
When rotating counterclockwise the [STC] knob, suppressing the reflection from sea surface becomes weaker.

※ In PPI/PPI, the upper and lower screens change simultaneously.

### Display the video of CCD camera. ([STC] knob)



The video of the CCD camera is displayed.  
※ The full screen and the half screen are toggled by pressing the [STC] knob.

Press

To clear the CCD camera video, press any other key.

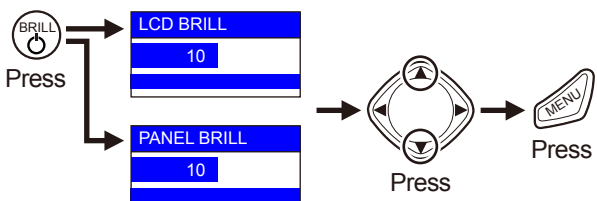
### Start the transmission. ([STBY/TX] key)



The transmission starts, and the picture is displayed.

To stop the transmission, press the [STBY/TX] key again.

### Adjust the brilliance. ([BRILL] key)



※ The [LCD BRILL] and the [PANEL BRILL] are toggled by pressing the [BRILL] key.

### Delete the heading line. ([ENT] key)

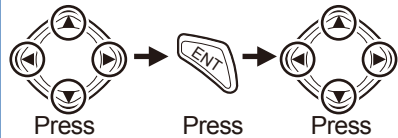


While pressing the [ENT] key, the heading line disappears.

Keep pressing

When releasing the [ENT] key, the heading line appears again, and the + cursor returns to the own ship position.

### Measure the distance/heading of 2-points. ([ENT] key)



The distance/direction from the origin to the + cursor is displayed.

Press

The cursor moves.

Press

The origin is set.

Press

Press the [MENU] key to finish.

### Open the menu. ([MENU] key)



The menu is displayed.  
Press the [MENU] key again to close the menu.  
(For the menu, see the back side.)

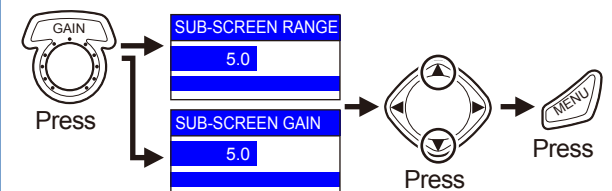
### Adjust the gain. ([GAIN] knob)



When rotating clockwise the [GAIN] knob, the gain increases.

When rotating counterclockwise the [GAIN] knob, the gain decreases.

### Change the range/gain of the lower screen in the PPI/PPI. ([GAIN] knob)



※ The [SUB-SCREEN RANGE] and the [SUB-SCREEN GAIN] are toggled by pressing the [GAIN] knob.

### Turn on/off the power. ([BRILL] key)

Turn on the power. Turn off the power.

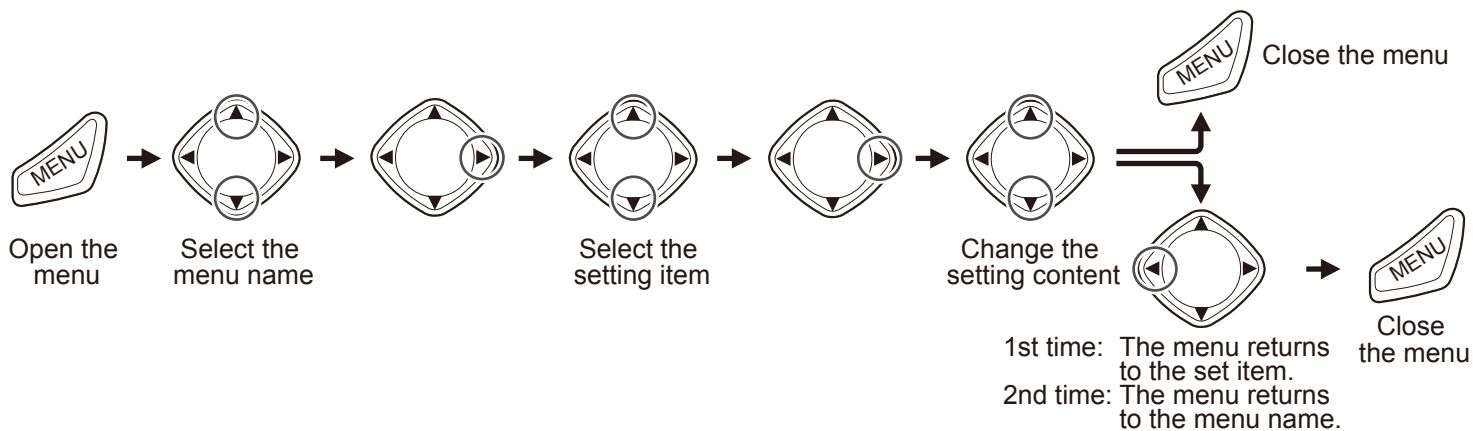


Press



Turn off the power. Keep pressing the key for more than 3 seconds.

## ● How to operate the Menu



## ● Function of Adjust Set Menu

ECHO	<b>FTC</b>	3	①
TRAILS	MODE	H UP RM	②
DISPLAY	DISPLAY SELECT	PPI	③
ALARM	OFF CENTER	OFF	④
AIS	ENHANCE	1	⑤
ATA	PROCESS	OFF	⑥
NEXT	PULSE	RESO-P PRI	⑦

- ① Change the setting of FTC.  
The bigger numerical value brings bigger effect.
- ② Change the display mode.  
Select from [H UP RM], [N UP RM], [N UP TM], [C UP RM], [C UP TM], and [WPT UP RM].
- ③ Set the display configuration.
- ④ Set the center position of the display.  
The set position becomes the center of the display (own ship's position).
- ⑤ The enlarged image is displayed.  
The bigger numerical value expands target more greatly.
- ⑥ Stabilize the unstable targets by signal-processing the picture.
- ⑦ Change the pulse width.  
[RESO-P PRI] : Suitable for searching in the place where targets are crowded.  
[GAIN PRI] : Suitable for searching small targets.

## ● Functions of Trail Setting Menu

ECHO	<b>TRAIL MODE</b>	TRUE	①
TRAILS	TRAIL TIME	3MIN	②
DISPLAY	TRAILSHAPE	STANDARD	③
ALARM	TRAIL LEVEL	7	④
AIS			
ATA			
NEXT			

- ① Set the display method of the trail.  
[REL] : Display the difference of the relative target position as a trail.  
[TRUE] : Display the trail of the course and speed of a moving target irrespective of own ship's motion.  
※To display the true trail, entering the data of heading, ship speed and latitude/longitude is required.
- ② Set a time to display the trail.
- ③ Set the shape of the trail.  
[STANDARD] : Even if time goes, the shape of the trail remains unchanged.  
[DECREASE] : As time goes, the trail becomes narrower.
- ④ Set the signal level of the trail.  
When increasing the numerical value, only targets that return strong reflections are displayed.

## ● Function of Display Setting Menu

ECHO	<b>EBL</b>	ON	①
TRAILS	VRM	ON	②
DISPLAY	COLOR	STANDARD	③
ALARM	CURSOR SHAPE	STANDARD	④
AIS	PI	OFF	⑤
ATA	PI NUMBER	7	⑥
NEXT	BRG TRUE/REL	REL	⑦
	VECTOR	6MIN	⑧
	VECTOR TRUE/REL	TRUE	⑨

- ① Measure the bearing from own ship to a target.  
After selecting [ON] and pressing the [▶] key, change the bearing with the [◀] and [▶] keys.
- ② Measure the distance from own ship to a target.  
After selecting [ON] and pressing the [▶] key, change the distance with the [▲] and [▼] keys.
- ③ Change the color of entire display.
- ④ Set the shape of the + cursor.
- ⑤ Display straight lines which are parallel with own ship set as a standard.
- ⑥ Set a number of parallel lines.
- ⑦ Change the + cursor and the bearing display mode of the EBL.  
[TRUE] : The true north points 0°.  
[REL] : The heading points 0°.
- ⑧ Display the bearings and speeds of own ship and other ships as vector lines.
- ⑨ Set the mode (TRUE/RELATIVE) of the vector line.