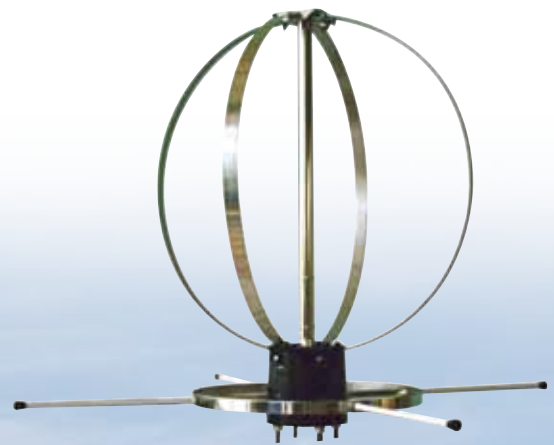


Direction Finder  
**KS-5551**

**KODEN**

*Wide coverage MF/HF/VHF!*  
*High visibility & Easy operation!*



## FEATURES

- ▶ Wide coverage band of frequencies MF / HF / VHF.
- ▶ Introducing Propelled Goniometric method for higher accuracy.
- ▶ Bearing display panel using brilliant LED for high visibility.
- ▶ Light weight antenna for easy installation.

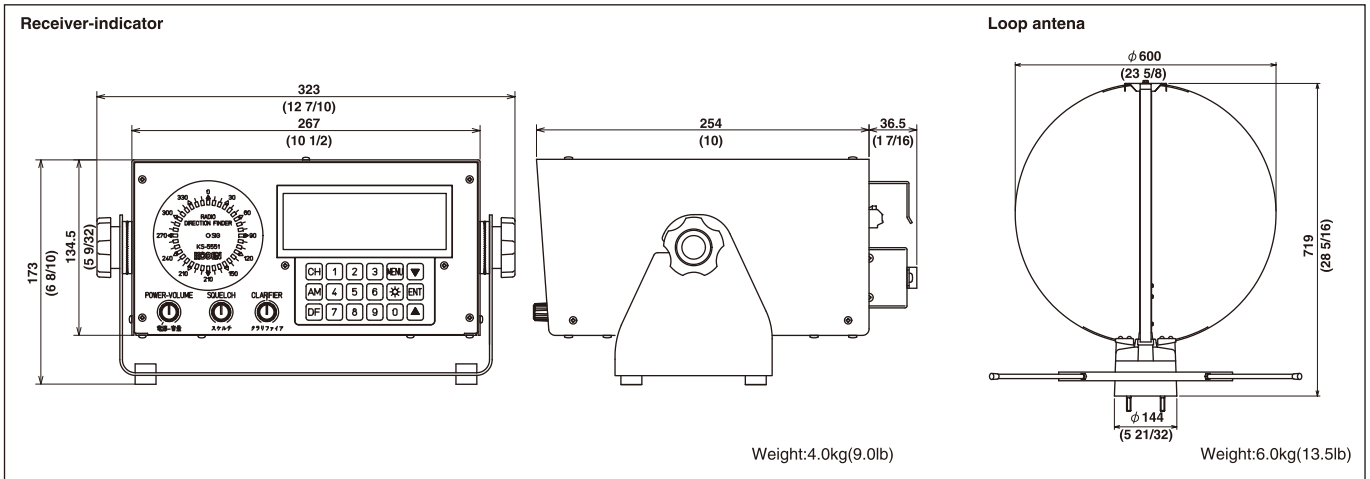
## SPECIFICATIONS

Receiving system	Double superheterodyne	
Bearing indication	10°step	LED Ring with 36 pieces
Frequency spectrum indication	1°step	LCD 3-digit
Frequency spectrum indication	0.1 kHz step	LCD 6-digit
Signal strength indication	7 levels	
Antenna switching method	Electronic goniometric-switching	
Antenna unit	LA-81	
Antenna type	Loop antennae 600 mm (diameter)	
Receiving frequency range	Band 1	1.0000 MHz to 1.9999 MHz
	Band 2	2.0000 MHz to 2.8000 MHz
	Band 3	26.0000 MHz to 26.9999 MHz
	Band 4	27.0000 MHz to 27.9999 MHz
	Band 5	35.5000 MHz to 39.9999 MHz
	Band 6	40.0000 MHz to 44.0000 MHz
	Band 7	50.0000 MHz to 51.9999 MHz
	Band 8	52.0000 MHz to 54.0000 MHz
Measuring receiving frequency range	Same as receiving frequency range	
Mode	A1A, A2A, A3E, J3E, H3E, F3E	
Direction finding tolerance	±3° or less at receiving frequency 2.0 MHz	
Direction finding speed	0.5 sec or less	
Measurable minimum field intensity	5 μ V/m (at 2 MHz)	
Audio output	8 Ω, 2 W (distortion rate: 10% or less)	
Spot reception	100 channels	
Warm-up time	Approx. 60 sec.	
Power supply	21.6 to 31.2 VDC	
Power consumption (at 24VDC)	2 A or less	

## ENVIRONMENTAL

Water protection	Antenna : IPX4, Receiver indicator : IPX0
Operating temperature	Antenna: -25°C to +55°C Receiver-Indicator: -10°C to +55°C
Storage temperature	Receiver-Indicator: -30°C to +70°C
Operating Humidity	Max 95 % (40°C)

## DIMENSIONS AND WEIGHT



• Design and specifications are subject to change without notice.

## EQUIPMENT LIST

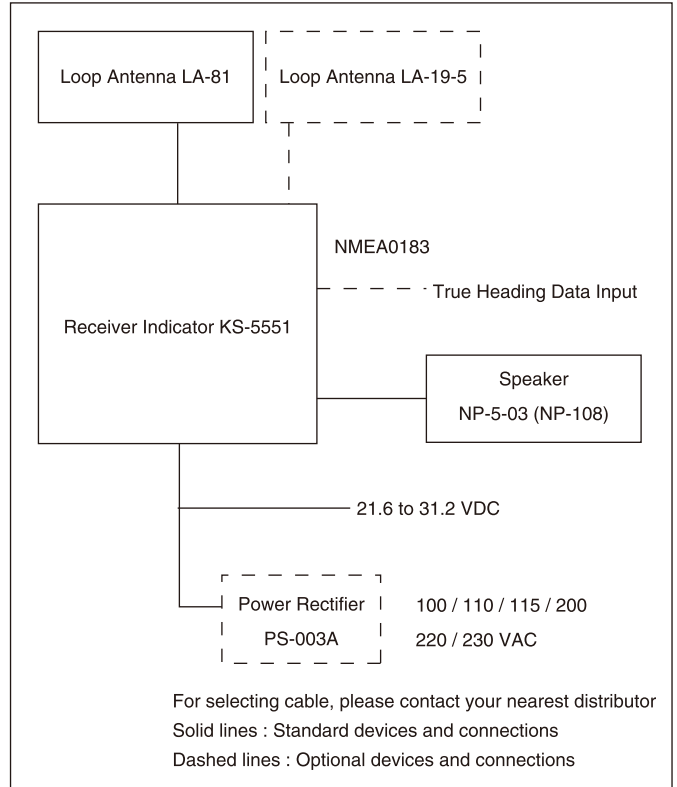
### Standard Equipment

Loop antenna	LA-81 600 mm (diameter)
Receiver indicator	KS-5551
Loop antenna cable	CW-78A-15M 15 m with connectors and one end plain
Elange	AS-3
DC power cable	VV-2D8 both ends plain
External speaker	NP-108-05
Operation manual, Installation materials, Fuse	

### Option

Antenna support, Power rectifier, Loop antenna cable 10m / 20m / 30m / 45m / 47m  
Loop antenna for low band (LA-19-5), Antenna cable for low band 25 m (PSVKY-3PL20)  
Band1 1.0000 MHz to 1.9999 MHz, Band2 2.0000 MHz to 2.8000 MHz

## CONNECTIONS



**KODEN** Kodon Electronics Co., Ltd.

Tamagawa Office:  
2-13-24 Tamagawa, Ota-ku, Tokyo, 146-0095 Japan  
Tel: +81-3-3756-6501 Fax: +81-3-3756-6509  
Uenohara Office:  
5278 Uenohara, Uenohara-shi, Yamanashi, 409-0112 Japan  
Tel: +81-554-20-5860 Fax: +81-554-20-5875

overseas@koden-electronics.co.jp

[www.koden-electronics.co.jp](http://www.koden-electronics.co.jp)



**Safety precaution**

To ensure proper and safe use of the equipment, please carefully read and follow the instructions in the Operation Manual.

For details, please contact: