

4-inch monochrome LCD
Automatic Identification System

KODEN

Class A AIS Transceiver **KAT-100**



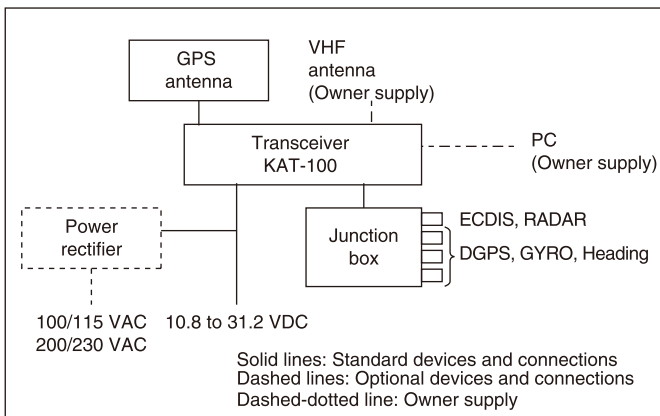
Features

- Meets IMO Standard MSC.74 (69) Annex 4, EU Marine Equipment Directive (MED)
- Meets FCC, USCG, IC, TC, CCNR (Inland AIS)
- Built in 16 channel GPS receiver with antenna
- Password protection for important information stored in the unit
- Provides real-time AIS information for safety navigation
- High accuracy and reliability
- Simple and easy installation

SPECIFICATIONS

Type	KAT-100
Output power	1 W or 12.5 W (automatic selection)
Display size and type	4 inch, monochrome LCD
Display resolution	248 x 128 pixels
TX / RX frequency	156.025 MHz to 162.025 MHz
Impedance	50Ω
DSC receiver	156.525MHz(CH70), 1200bps
Chanel bandwidth	25 kHz
Presentation modes	Target list, Own vessel & voyage data, Own dynamic data, Received messages, Alarms, Target plot
Alarms	Transmitter malfunction, Antenna VSWR limit, Receiver malfunction, External EFPS lost, No sensor position in use, No valid COG, No valid SOG, Heading lost or invalid, No valid ROT
PC	RS-232C
Languages	Dutch, English, French, German
Input data formats and sentences	IEC61162-1/2 ABM, ACA, ACK, AIR, BBM, DTM, GBS, GGA, GLL, GNS, HDT, LRF, LRI, RMC, ROT, SSD, VBW, VSD, VTG
Output data formats and sentence	IEC6162-1/2 ABK, ACA, ALR, LR1, LR2, LR3, LRF, LRI, TXT, VDM, VDO
NMEA ports	Sensor data input ports (input) IEC61162-1/2 3 ports 4800 or 38400 baud Bidirectional data ports (input / output) IEC61162-1/2 3 ports 4800 or 38400 baud
Power supply	10.8 to 31.2 VDC
Power Consumption	12 W typical, 4.0 A peak at 12 VDC
GPS unit	
Type	MA-700
Receiver channels	16 channels
Frequency	1575.42MHz, L1 band
Sensitivity	Acquisition -138dBm, Tracking -146dBm
Position fixing system	GPS
Time to position fix (Cold start)	Typically 36 seconds
Accuracy	GPS 2.5m CEP / 5.0m SEP DGPS 2.0m CEP / 3.0m SEP
Differential GPS	RTCM SC-104, AIS message #17
Environmental	
Operating temperature	Display unit -15°C to +55°C GPS antenna -30°C to +80°C
Water protection	Display unit IP52 GPS antenna IEC60945 Exposed category

CONNECTIONS



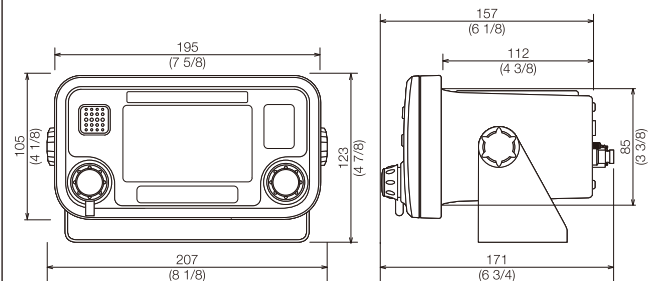
EQUIPMENT LIST

Standard Equipments	Transceiver with trunnion bracket
	Junction box
	GPS antenna
	DC power cable, Data cable, Mounting accessories, Operation manual, Quick operation guide, Quick installation guide, Support tools CD
Options	Power rectifier, AC power cable

DIMENSIONS AND WEIGHT

AIS transceiver Unit: mm (inch)

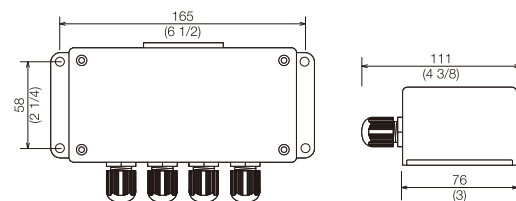
KAT-100



Weight : 1.7kg (3.7 lb)

Junction box

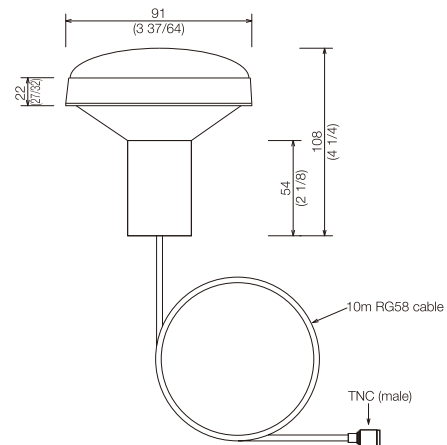
JB-16



Weight : 0.35kg (0.78 lb)

GPS antenna

MA-700



Weight : 0.5kg (1.2 lb)

• Design and specifications are subject to change without notice.

KODEN Kodan Electronics Co., Ltd.

Tamagawa Office:
2-13-24 Tamagawa, Ota-ku, Tokyo, 146-0095 Japan
Tel: +81-3-3756-6501 Fax: +81-3-3756-6509
Uenohara Office:
5278 Uenohara, Uenohara-shi, Yamanashi, 409-0112 Japan
Tel: +81-554-20-5860 Fax: +81-554-20-5875

overseas@koden-electronics.co.jp

www.koden-electronics.co.jp



Safety precaution

To ensure proper and safe use of the equipment, please carefully read and follow the instructions in the Operation Manual.

For details, please contact: